

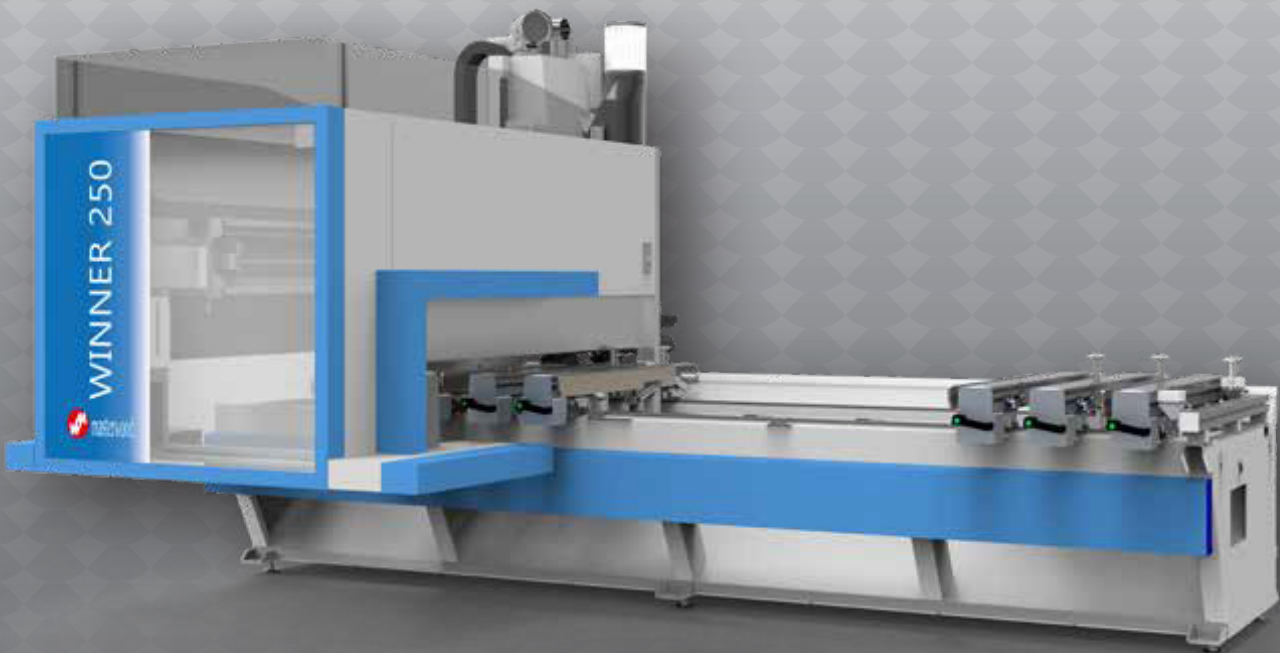


FARNESE MASTERWOOD AUSTRALIA® PTY LTD

Woodworking Machinery Sales, Service & Parts



WINNER 250 3 AXIS CNC



DESIGN FEATURES

3200mm x 1425mm WORKING BED AREA

MACHINE UP TO 200mm THICKNESS

13KW HSD VERTICAL ROUTER - HSK63F

DUAL EXIT HORIZONTAL ROUTER

GROOVING SAW WITH DRILLING HEAD

19 VERTICAL & HORIZONTAL DRILLING SPINDLES

16 POSITION TOOL CAROUSEL

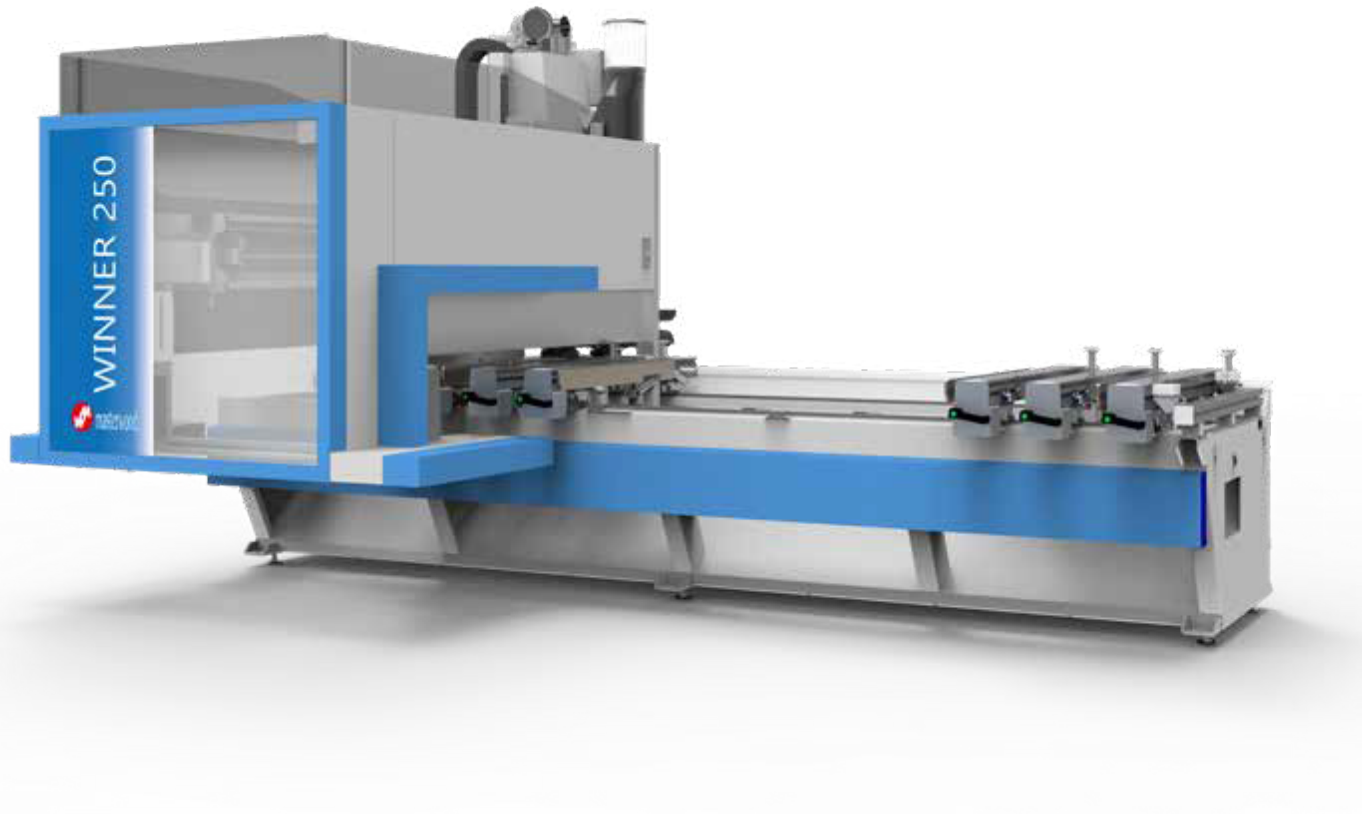
MASTERWORKS CAD / CAM SOFTWARE

FULL INSTALLATION, MACHINE AND SOFTWARE TRAINING

Together, Farnese Masterwood have a combined history of over 70 years and the recent merger means that the synergy of experience and knowledge brought in by each partner brings a lifetime of expertise to all aspects of the stone and wood cutting industry. Their combined commitment to their successful legacy in their respective fields brings a new energy to the future of stonemasonry and woodworking in Australia and across the world.

Visit the Farnese MasterWood showroom to view the complete range of professional machines, or contact us for professional advice and solutions for your stone cutting and woodworking business.

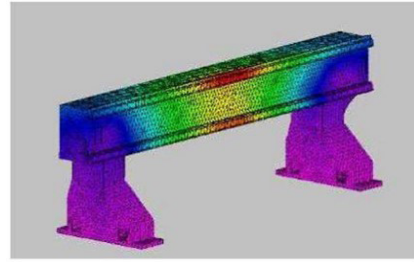
WINNER 250 3 AXIS CNC



The NEW Winner series has been designed to meet all the needs of small, medium and large companies. It offers the best technical solutions on the market. Winner machining centres are born from the experience of the 'custom series' project, assuring flexibility of usage, reliability and high productivity.

BASE

Heavy monolithic base, electrowelded and adequately ribbed structure to guarantee rigidity and long lasting precision.



CARRIAGE FOR OPERATING UNITS

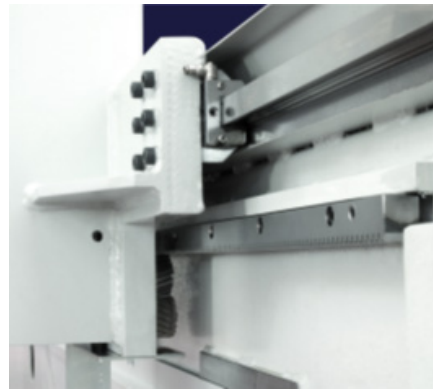
'Cantilever' structure type (y axis) with high rigidity made of welded and ribbed steel. It moves lengthwise (x axis) along the basement and supports an aluminium carriage on which are mounted the operating units.



AXIS DISPLACEMENT X AXIS

X axis displacement with rack and pinion. Rack with ground and raking teeth made up of hardened and tempered steel; tempered pinion with ground teeth. The pinion is integral to a epicycloidal reduction gear with high precision.

One felt pinion is coupled to the steel pinion and is constantly lubricated and applies a lubricating film to the teeth of the rack to guarantee long lasting and precision.



AXIS DISPLACEMENT Y - Z

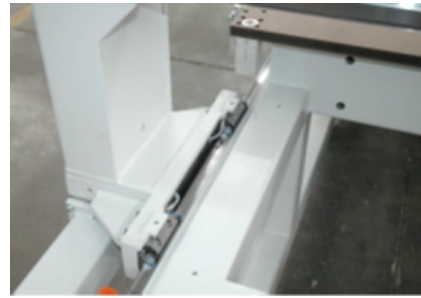
Displacement with high precision preloaded lead screws. The preloading guarantees a total absence of plays for high displacement precision.

The nc control of accelerations along with the high rigidity of the structure allows fast displacement without vibrations.



SLIDEWAYS

All displacements are made with linear guides with preloaded linear bearings and double sealed to prevent the dust entering inside the bearings. This system guarantees longevity without any maintenance.



LUBRICATION

The machine is equipped with a centralized lubrication system which provides the distribution of the lubricant to all the movable parts of the machine.



MOTORIZATIONS

The axis motorization is made by brushless motors which allow speeds and accelerations impossible to reach with the traditional cc motorization and brushes. No maintenance is required. The digital technology guarantees higher precision and better finishing of machinings.



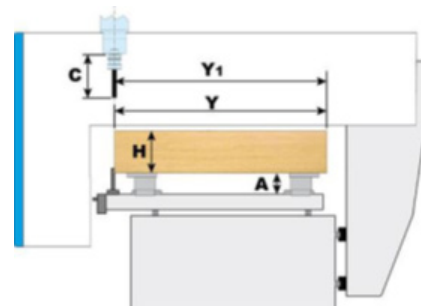
STROKES AND WORKING FIELDS

WORKING STROKES:

X = 3380 mm Y = 1865 mm Z = 350 mm

WORKING FIELD - WORKABLE PANELS:

- X = 3000 mm
- Y = 1165 mm (FRONT REFERENCE STOPS)
- Y = 1425 mm (REAR REFERENCE STOPS)
- * A = 50 mm * H = 200 mm * C = 205 mm



BORING HEAD

Boring head for vertical and horizontal boring operations with independent mandrels. Aluminium structure, machined by high precision cnc machining centre.

All mandrels rotate simultaneously, clockwise or counter clockwise. Independent launch of each mandrel through pneumatic cylinders for single or multiple borings. Boring head is composed as follows:



19 mandrels boring head made up of:

- 7 independent vertical mandrels x-axis
- 6 independent vertical mandrels y-axis
- 2 double independent horizontal mandrels x-axis;
- 1 double independent horizontal mandrel y-axis
- c/c between the mandrels: 32 mm
- 1.7 kw motor power
- 4000 rpm revolution speed.



GROOVING SAW

Built in the boring head for longitudinal cuts
-revolution speed 4000 rpm
-max.saw blade diameter:125 mm.

Saw blade not included



VERTICAL ROUTER

Routing unit mounted on the "Z" carriage with pneumatic launch. Displacement with linear guide of 75 mm width and preloaded linear bearings to guarantee the same loading capacity in the 4 directions. The above solution, along with the large distance of the z axis guides and the optimal placing of the lead screw (in central position) guarantee high routing precision.

The locking of the tool holder cone is by Belleville washers, the unlocking is by pneumatic cylinder. Two sensors ensure the correct hooking of the tool.

The electrospindle is equipped with an air blowing cleaning system for the cone for safe locking of the same.



13 KW ELECTROSPINDLE AIR COOLED

- Cone attachment HSK-F63
- Revolution speed up to 24.000 rpm
- Manual quick tool change with push button
- Automatic tool change with tools magazine
- Inverter "static frequency converter"
- Tools revolution speed nc controlled
- Automatic control of tool braking function
- Protection against current and tension overload and short circuit
- Troubles diagnostic visualised on display
- # cones and grippers not included



"CAROUSEL" TYPE TOOL MAGAZINE WITH 16 POSITIONS FOR AUTOMATIC TOOL CHANGE.

- Mounted on carriage side.
 - HSK F63 cone attachment.
 - Max tool diameter 250 mm.
 - Centre to centre distance between the tools :104 mm.
 - Max total weight of 16 tools : 45 kg
 - Max weight for every single tool : 6 kg
 - Rotation with brushless motor.
- # cones and collets not included



KIT FOR HORIZONTAL ROUTING UNIT

horizontal tilting routing unit with double exit for lock case machining and hinges plates routing

- pneumatic tilting with manual between 0 to -6 or 0 to 6 cnc controlled
- 2,2 kw ac motor inverter controlled
- spindle speed up to 18.000 rpm
- er 25 collet for 16 mm tool shank
- tool housing for lock case cut with counter-clockwise (lh) rotation

machining operations on rear side of the machine

- tool housing for hinge plates or hinges with clockwise (rh) rotation machining operations on the operator side of the machine.

TUBELESS TYPE WORKING TABLE

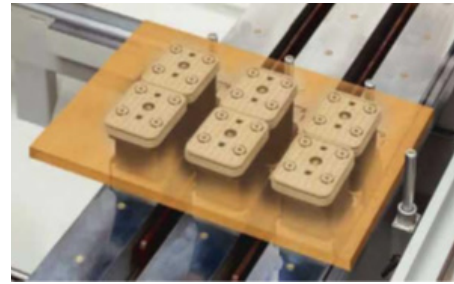
High technology system made of aluminium profiles supporting the suction cups or the pneumatic clamps. Aluminium profiles with internal chambers for vacuum flow with magnetic valves operated automatically by the suction cups when positioned. This system permits to eliminate all external pipes with the following advantages:

- No risk of damaging the pipes during the machining.
- Less distance between the suction cups for better holding of thin panels.
- Possibility to position up to 8 suction cups on each profile.
- Less distance between the profiles with consequent reduction of the dimensions of the smallest panel to be machined.
- Easy set up of working table by positioning the suction cups wherever needed without the bind of the pipes.
- The advantages of this solution permit:
 - to save time,
 - to better hold the workpieces,
 - to make the setup of working table easy, thanks to the wide range of suction cups and pneumatic clamps available.



LENGTH WISE POSITIONING OF ALUMINIUM

Profiles with linear guides and preloaded linear bearings for smooth displacement.
Linear bearings with double seal to prevent the dust from entering inside the bearings.
Locking of the aluminium supports is always activated on the two guides by a spring device. Pneumatic unlocking.



TUBELESS TABLE

The machine is equipped with NR.6 bars which includes CNC controlled sinking reference stops mounted inside the aluminium profiles for high rigidity.

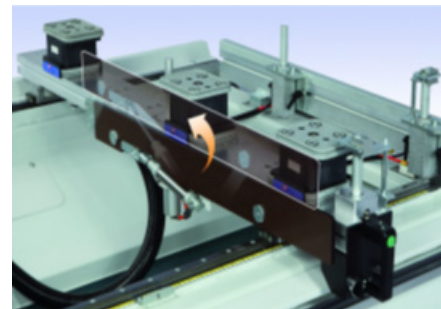
- nr.6 front reference stops
- nr.1 r/h side reference stops
- nr.1 l/h side reference stops

Working table divided in two zones for "tandem" machining: whilst the machine is working in one zone, the operator can load the piece in the other zone.



LIFTING BLADES

N. 4 panel lifting blades for easy loading and unloading of heavy panels or panels with large dimensions (2 for each zone).



KIT REAR SINKING STOPS NC CONTROLLED FOR DOUBLE REFERENCE

For worktable with 6 aluminium supporting bars:

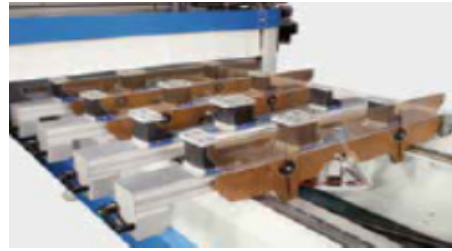
- 6 rear stops
- 1 r/h side stop
- 1 l/h side stop

working field - workable panels:
KIT 6 REAR AND 2 SIDE SINKING REFERENCE stops for veneered panels with overhang.

- minimum thickness of panel: 20 mm



KIT FOR PREARRANGEMENT OF WORKING TABLE with 6 aluminium bars to apply clamping devices for arches and straight components.



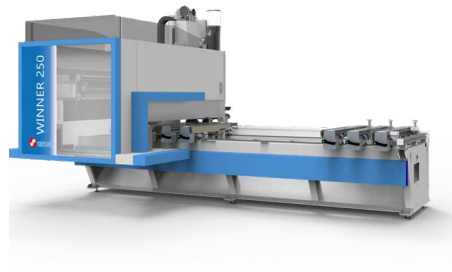
100 M3/H VACUUM PUMP

Rotary vanes pump to generate vacuum with a capacity of 90 m³/h at 50 hz (108 m³/h at 60hz)the pump is without oil (dry) with less maintenance compared to the normal oil pump.



EC PROTECTION WITH FRONT BUMPERS AND ANTI INTRUSION NETS

- Total transparent enclosure of operating head to check the working zone.
- Pressure sensitive bumpers to prevent impact with the parts moving along the x axis. They allow the operator to access a wider loading area when the machine is working on two fields.
- Side and rear anti intrusion nets
- Protections and electrics according ec standards



PENDANT PUSH-BUTTON STRIP WITH:

- Emergency push-button
- Hold push-button
- Start push button for r/h working area
- Start push-button for l/h working area
- Override (machining speed variator)



USER INTERFACE ON P.C.

Windows

Ram: 4 gb

Hard disk: 500 gb

CD rom reader

Monitor: colors 21" LCD

2 ethernet cards

One rs 232 serial port

6 usb 2.0 - 2 usb 3.0

Microphone connectors

Audio stereo in/out

Keyboard: USB

Mouse: USB

As the machine is controlled by the personal computer (pc) the user isn't allowed to make any hardware or software modification if not authorized in writing.



TELEASSISTANCE ON LINE

The machine is provided with an ethernet card dedicated to internet connection, to be able to use the remote assistance tele service.

The telematic connection to the Masterwood service centre allows remote intervention on: possible software problems, operating systems, configurations, updates.

The customer must have connection to the internet.



MASTERWOOD MACHINE VERSION - SOFTWARE

Masterwork is a graphic programming system which allows to avoid the iso programming thanks to an easy, fast and intuitive graphic interface.

This because masterwork is not a graphic compiler of lines (iso), but it's a real programming environment oriented to the workpiece.

It is a tool for all users, but specially dedicated to whom have no experience of programming. Masterwork complies with windows standards and guarantees the immediate and easy understanding of all commands.

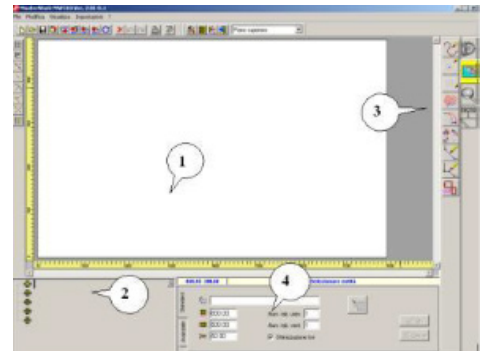
The 4 main areas to be used are :

- "central window" (1) graphic and interactive, which visualizes the machining carried out on the selected surface with zoom possibility and path selection for modifications or additions.

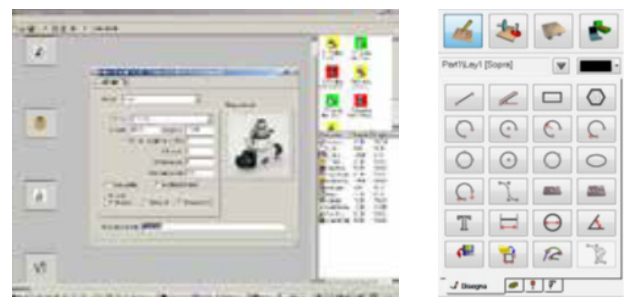
- on the l/h window (2) it is possible to activate the machining menu select the surface to be visualized, the machining to be modified or the relevant sequence by simply using the mouse.

- in the r/h double column (3) it is possible to select the various phases for creating the program such as the drawing, the machining and the actions to take: i.e. draw a straight line or a circle. This will allow to filter the large number of options available, making its use more rational and intuitive.

- in windows (4) can be input the machining parameters needed for the selected function. to make it easy has been used a large number of symbols, making this phase fully graphic and intuitive.

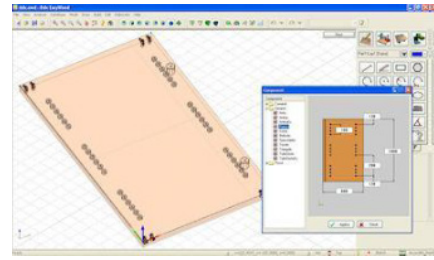


MASTERWORK is able to carry out first level parameters regarding panel measure. it is also possible to use advanced functions such as graphic visualization step by step of the programme, visualization of tool path on the piece, zoom function, measuring functions, machining time calculation and programme check. MASTERWORK also allows the use of all the typical cad functions: hooking, offset, scale, rotate, radius, bevel and many others.



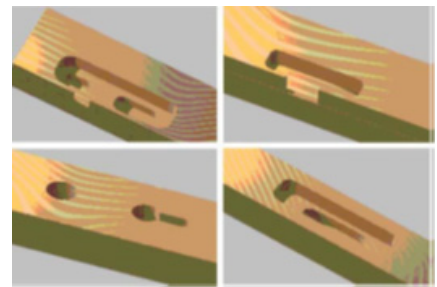
DETAILS

- Graphic boring - routing and cutting programming
- Boring cycle optimization
- Realisation of profiles and parametric drawings
- Tools configuration (machine setting - tools editor)
- Graphic basic macros for simple and complex elaborations
- Graphic visualisation of the surfaces to be machined
- Importing of dxf files generated by cad systems or by commercial programs for furniture processing
- Automatic conversion of dxf files into iso programs



PRE-DEFINED MACROS:

To carry out particular geometries it is possible to use pre-defined graphic macros. It is also possible to realize personalized macros for dedicated algorithms directly in iso environment and then, recalling them in graphic environment, define the machining parameters.



DXF FILES IMPORT:

It is possible to modify and make drawings in DXF format containing the technological information. Obviously, by importing DXF files, Masterwork is open to all the various programs on the market. Furthermore, this function allows the programming of the machine directly from AutoCAD without further operations.



SUCTION CUPS POSITIONING:

Masterwork can handle the positioning of the suction cups according to the program in parametric mode. In other words, if the sizes of the pieces change, the positioning of the suction cups will change accordingly.

The coordinates of the cups (including the rotation angle) can be visualized directly on the aluminium supports (optional) or on the pendant push button (optional).

The computer screen indicates the possible collision with the tool by highlighting the areas of concern with yellow colour.

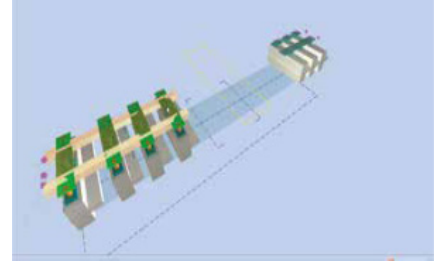


MASTER AT - SOFTWARE

A 3d visual environment allowing the arrangement of working table, vacuum bars and suction pad positioning.

It displays the workpiece and the working table, complete with clamping systems (suction pads or clamps) available on the working centre. It will execute the correct positioning of the clamping system so as to ensure a solid positioning of the workpiece without incurring any interference between the clamping devices and the cutting tool. As a final operation, MASTER AT will output all the information to allow the corresponding manual placement (based on metric rulers or digital readout displays) or automatic positioning for machines equipped with an automatic working table.

MASTER AT also allows the placement of multiple workpieces and subsequent optimization of tools path, significantly reducing the execution time of each piece.



MASTER 3D LEVEL 1 - SOFTWARE

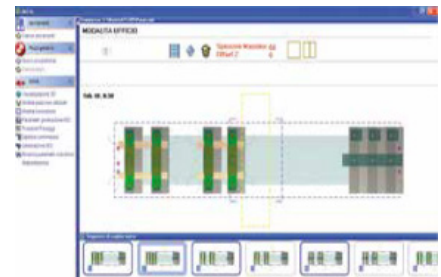
3 linear axis interpolated management plus a fourth positioning one. Master 3D is the cad/cam software solution for wood and similar materials used in the industry by numerically controlled machining centres. Master 3D is a complete solution and fully manages the woodworking process: from design to disposition of pieces and underpieces on the bench, machining optimization and program generation.

3D GRAPHICS AND PHOTO-REALISTIC RENDERING OF THE PROJECT

FREE DESIGN AND MEASURES OF GEOMETRICAL ENTITIES

(arcs, bi-arcs, lines, rectangles, squares, ellipses, circles, regular polygons, fillets, chamfers, construction plans, nurbs, etc.)

DESIGN FROM PREDEFINED PARAMETRIC models in library: vanity tops, kitchen tops, openings, tables, etc. DXF 2d, cal, hppl, pnt, iso import



TEXTURING:

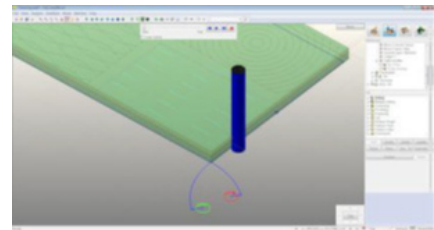
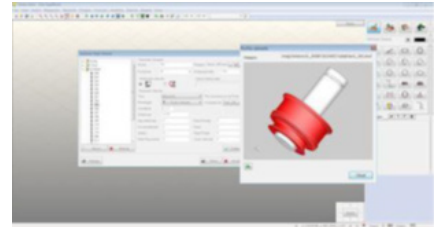
Parametric programming of wave shaped profiles

GRAPHIC TOOL DATABASE

Customised profiled tools and tool holder recess, relief machining and sharp-edged engravings.

CUTTING CYCLES

By blade or tool, drilling, finishing, profiling, pocketing, contouring automatic generation of lead in and lead out paths with graphic modification.

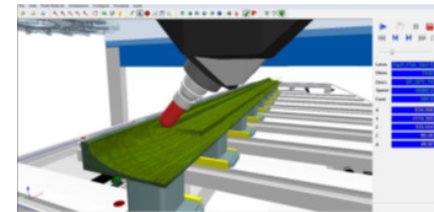


DISPOSITION OF PIECES AND SUB-PIECES
on the machine with automatic check of the interferences between the machining and the sub-pieces

MACHINING TIME AND COST ESTIMATION
and generation of piece programs for CNC

VIRTUAL MILLING
Display of the removed material according to the actual profile of the tool

GRAPHICS SIMULATION OF THE TOOLS



The following optionals will be supplied by Masterwood in a separate kit to be fitted on the machine.

12 x suction cup 114 x 140 x 50 mm.

6 x suction cup 125 x 75 x 50 lengthway

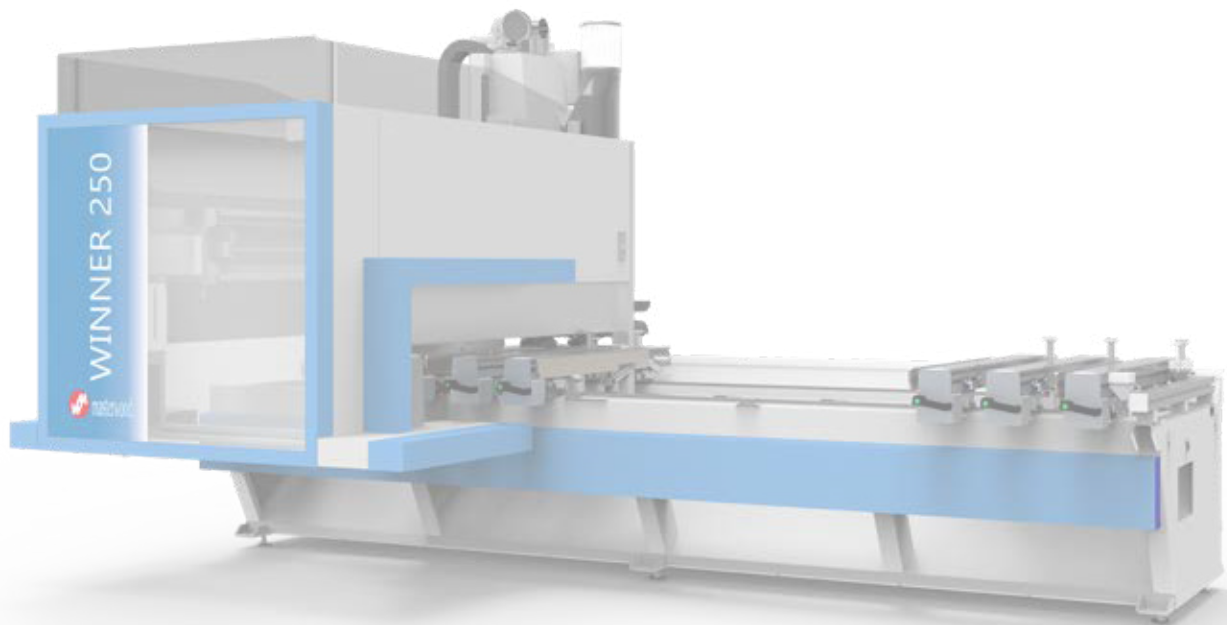
Clamping device for straight and arched components for one working zone :

6 single movement pneumatic clamps
work table height from the aluminium bars upper surface = 100 mm
- max.2 pcs.each support

it is compulsory to order the prearrangement of the working table.

max. workpiece thickness = 92 mm

min. workpiece thickness = 48 mm



STANDARD MACHINE PRICING

PLEASE NOTE - QUOTE VALID FOR 30 DAYS ONLY FROM DATE OF QUOTE

Machine comes equipped with:

- As per above specifications

Included in the price -

- Delivery - Syd/Bris/Melb Metro only
- WA/NT/SA/TAS and all regional areas will incur additional cost
- Installation and Training
- Mobile Crane

Excluded from the price -

- Unloading of machine from truck
- Forklift - to unload truck and position machine - CUSTOMER TO SUPPLY
- Air connections to machines
- Power connection to machine
- Internet connection to the machine
- Personnel to assist installer at time of installation
- Concrete facilities
- Removal of existing machinery
- Accommodation and travel expenses for installer at time of installation - if required -outside of Metro areas

Limited Warranty Certificate

Farnese PTY LTD or Farnese Masterwood PTY LTD, ("Farnese" or "Manufacturer") provides a limited warranty on all new cutting saws, CNC centres, water recycling, lifting equipment, edge banders and edge polishers (collectively Stone processing and Woodworking Machinery) and their components (except those listed below under Limits and Exclusions of Warranty) ("Components") that are manufactured by Farnese and sold by Farnese as set forth in this Certificate. The warranty set forth in this certificate is a limited warranty, it is only warranty by Manufacturer, and is subject to the terms and conditions of this Certificate.

Limited Warranty Coverage

Each Machine and its Components (collectively, "Farnese Products") are warranted by Manufacturer against defects in material and workmanship. This warranty is provided only to an end-user of the Machine (a "Customer"). The period of this limited warranty is one (1) year. The warranty period commences on the date the Machine is installed at the Customer's facility by a Farnese technician. Warranty is void if the Customer, an unauthorized service technician or other unauthorized person installs the Machine.

1. Repair or Replacement Only

Manufacturer's sole liability and Customer's exclusive remedy under this warranty, with respect to any and all Farnese products, shall be limited to repairing or replacing, at the discretion of the Manufacturer, the defective Farnese product.

2. Disclaimer of Warranty

This warranty is the Manufacturer's sole and exclusive warranty and is in lieu of all other warranties of whatever kind or nature, express or implied, written or oral, including but not limited to, any implied warranty of merchantability, implied warranty of fitness for particular purpose or other warranty of quality or performance or non-infringement, except if applicable any consumer guarantees which are set out in the Australian Consumer Law. All such warranties of whatever kind are hereby disclaimed by Manufacturer and waived by Customer.

3. Limits and Exclusions of Warranty

Components subject to wear during normal use and over time, including but not limited to wood, panels, seals, bearings, cables, sensors, lasers, air, vacuum, hydraulic, electrical and water components are excluded from this warranty.

Manufacturer's specified maintenance procedures must be adhered to and recorded in order to maintain this warranty. Normal alignment, adjustment, level and machine settings to set table, blades and/or tooling is not covered by this warranty. This warranty is void if Manufacturer determines that (i) any Farnese Product was subjected to mishandling, misuse, abuse, neglect, accident, improper installation, improper maintenance, improper storage, or improper operation or application, including the use of improper fluids, (ii) any Farnese Product was improperly repaired or services by Customer, an unauthorized service technician, or other unauthorized person, (iii) Customer or any person makes or attempts to make any modification to any Farnese Product without the prior written authorization of Manufacturer, and/or (iv) any Farnese Product was used for non-commercial use (such as personal or household use). This warranty does not cover damage or defect due to an external influence or matters beyond the reasonable control of Manufacturer, including, but not limited to, theft, vandalism, fire, weather condition (such as rain, flood, wind, lightning, or earthquake), or acts of war or terrorism.

Without limiting the generality of any of the exclusions or limitations described in this Certificate, this warranty does not include any warranty that any Farnese Product will meet any persons production specifications or other requirements, or that operation of any Farnese product will be uninterrupted or error-free.

Manufacturer assumes no responsibility with respect to the use of any Farnese product by any person, and Manufacturer shall not incur any liability to any person for any failure in design, production, operation performance or otherwise of any Farnese Product, other than repair or replacement of same as set forth in the warranty above.

4. Limitation of Liability and Damages

Manufacturer will not be liable to Customer or any other person for any compensatory, incidental, consequential, punitive, special or other damage or claim, whether in an action, in contract, tort or other legal or equitable theory, arising out of or related to any Farnese product, other products or services provided by Manufacturer or an authorized distributor, service technician, or other authorized representative of Manufacturer (collectively, "authorized representative"), or the failure of parts or products made by using any Farnese Product, even if Manufacturer or any authorized representative has been advised of the possibility of such damages, which damage or claim includes, but is not limited to, loss of profits, lost data, lost products, loss of revenue, loss of use, cost of down time, business good will, any damage to equipment, premises, or other property of any person, and any damage that may be caused by a malfunction of any Farnese product. All such damages and claims are disclaimed by Manufacturer and waived by Customer. Manufacturer's sole liability, and Customer's exclusive remedy, for damages and claims for any cause whatsoever shall be limited to repair or replacement, at the discretion of Manufacturer, of the defective Farnese Product as provided in this warranty.

Customer has accepted the limitations and restrictions set forth in this Certificate, including, but limited to, the restriction of its right to recover damages, as part of its bargain with Manufacturer or its Authorized Representative. Customer realizes and acknowledges that the price of the Farnese Products would be higher if Manufacturer were required to be responsible for damages and claims beyond the scope of this warranty.

5. Miscellaneous

a. How to claim on this warranty

In order to claim under this warranty, the Customer should cease using the Farnese Produce and telephone the Manufacturer on 1300 075 678 for a Farnese technician to determine whether the matter is covered by this warranty.

If the matter is covered by this warranty, the cost to repair and or replace (being at the Manufacturer's discretion) will be borne by the Manufacturer, including transportation costs, except for electricians and external technicians as set out under "External warranty support" below.

If the matter is not covered by this warranty, then the Customer will be responsible for the cost to repair or replace.

b. Transportation & Rigging

Manufacturer assumes no liability for damages caused during the transportation and/or rigging of Machinery. Customer is solely responsible for noting damages on freight Bill of Lading upon delivery to initiate a claim directly with the Transportation Company and/or Rigging Company. The repair or replacement of components damaged during transit or rigging is not covered under this warranty.

c. Power Supply

Customer is solely responsible for supplying the required power to the Machine and having a certified electrician for direct connection. Manufacturer does not supply phase converter, transformer or surge protector if required to properly install Machine. If the proper power supply is not provided at the time of machine installation the warranty is void. Any resulting damage from the use of improper power supply is the liability of the Customer.

d. Part Shipping

Components verified by the Manufacturer to be replaced under warranty are shipped common carrier, FedEx or TNT Ground service or similar method. Manufacturer is not responsible for damage or loss caused by Freight Company or other circumstances not in the Manufacturer's control. Customer will incur the replacement cost of damaged or lost parts and the costs associated with a different shipping method if requested.

e. External warranty support

The customer is responsible for the costs associated with electricians and or technicians used to troubleshoot issues arising during the warranty period.

f. Parts Warranty & Return Policy

Farnese mechanical parts have a 30-day warranty from the date of purchase. This warranty is void if Manufacturer determines that any part was subjected to mishandling, misuse, abuse, neglect, accident, improper installation, improper maintenance, improper storage, or improper operation or application, including the use of improper fluids. Electrical parts are not covered by this parts warranty. Unless otherwise specified parts are not returnable after purchase.

g. Phone Support

Manufacturer provides ten (10) hours of phone support during the warranty period for non-warranty technical assistance. These hours expire if unused after the warranty period of one (1) year. Manufacturer is at its sole discretion to determine if the technical support required is considered warranty. Unlimited phone support is provided if the technical assistance has been approved under warranty by a Farnese technician. All other phone support including but not limited to general help, troubleshooting and training is charged after the 15-minute grace period. Calls are billed at \$150 per incident plus \$150 per hour in 30-minute increments. Manufacturer-supplied electrical diagrams are to be followed by a certified electrician if electrical components require testing. The cost to hire an electrician is the sole responsibility of the Customer and not covered under this warranty. Any non-warranty technical support required by the Customer or certified electrician will be billed at the \$150 per incident plus \$150 per hour in 30-minute increments.

h. Software Updates

Software updates are free of charge for the first year under warranty. After warranty software updates can be purchased from the Manufacturer.

i. Training

Manufacturer recommends Team Viewer to assist our Customers with live internet-based training. This service is provided as needed for our Customers. Calls are billed at \$150 per session plus \$150 an hour for all support over 60 minutes. To schedule a meeting call 1300 075 678. Manufacturer offers onsite training and support for our Customers. To schedule a meeting, email us at info@farnese.com.au or call 1300 075 678 to schedule the onsite training day(s) and one of our trained technicians will be happy to visit your facility. Training is billed at \$1,200/day plus all travel expenses.

j. Service & Preventative Maintenance

Manufacturer will provide a service estimate based on the anticipated hours to troubleshoot the issues presented or part installation needs. Service work performed is billed at \$150 an hour plus all travel expenses.

Manufacturer recommends preventative maintenance be done every six (6) months. This comprehensive service inspects the major components of the machine and helps prevent future down time. Preventative maintenance is billed at \$1,200/day plus all travel expenses.

6. Safety Precautions

Customer shall require all of its machine operators and surrounding people to use all safety devices, guards and follow proper safe operating procedures as set forth in manuals and instruction sheets furnished by Manufacturer. Customer shall not remove or modify any such device, guard or sign. It is Customers responsibility to provide all the means that may be necessary to effectively protect him/herself, all people around the machine and employees from serious bodily injury which otherwise may result from the method of particular use, operation, set-up or service of the equipment. If Customer fails to comply with such provisions of this paragraph or the applicable standards or regulations aforementioned, Customer shall indemnify and save Manufacturer harmless from and against any and all claims, losses or damages arising there from. It is the responsibility of Customer to comply with any and all local safety codes.

7. Entire Agreement

This Certificate is the entire agreement between the Manufacturer and the Customer with respect to the subject matter of this Agreement. The terms of this Certificate may not be changed in any way except in writing, signed by Manufacturer and the Customer. Modification, Captions and Construction. This Certificate may not be modified in any respect by any verbal statement, representation, or agreement made by the Manufacturer, or by a written document, unless signed by an authorized officer of the Manufacturer. The captions contained in this Certificate are provided for convenience of reference only and shall not be deemed to constitute a part of this Certificate. This Certificate shall be interpreted without regard to any presumption or rule requiring construction against the party who drafted the Certificate.

8. Savings Clause

To the extent that any provision of this Agreement is judicially determined to be invalid, unlawful or unenforceable, that provision shall be modified to the extent such a court in its discretion deems necessary in order to bring such provision into compliance with the laws of New South Wales and of Australia as applicable. The remainder of the Agreement shall continue in full force and effect, provided that such modification does not render this Agreement void for lack of consideration by a party.

9. Choice of Law and Forum

This Certificate is deemed to have been made in Sydney, Australia and the laws of New South Wales, exclusive of the choice of law provisions, shall govern this Agreement without regard to the place of execution or the place of performance of this Agreement. Any dispute concerning or relating to this Certificate shall be filed and litigated in the court of Campbelltown, New South Wales, and nowhere else.

We Know That Support Is Important To You

Buying a new machine is a big commitment for anyone, and continued support throughout the life of that machine is vital.

Being an Australian company, Farnese Masterwood carry a vast array of parts here in Australia to ensure that your machine always has the spares it needs. Enjoy peace of mind knowing that you'll be fully supported by Farnese Masterwood and we'll always have you covered.

Customers don't need to experience unnecessary machinery downtime waiting for remote assistance from other countries, as all the support and remote assistance is provided locally in Australia from our own qualified Technicians in Australian time.

With more Service Technicians in Australia than any of our competitors, our mission here at Farnese Masterwood is to give you the best support in the industry. As we grow, we continue to recruit more and more qualified technicians, to further strengthen our position in the marketplace.

Farnese Masterwood Australia Pty Ltd
Head Office: 5 Heald Road, Ingleburn NSW 2565 Australia

ABN: 36 052 828 217

PH 1300 075 678 info@farnese.com.au