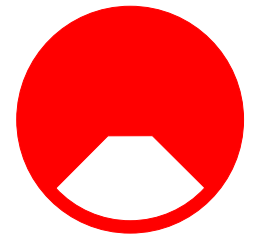


TECHNICUT

Feature packed high performance 5 axis bridge saw



The TECHNICUT CNC Saw is the latest in Top Bridge Saw Design. It is a full 5 axis CNC controlled saw fitted with side vacuum manipulators for ease of movement of the material with thickness measuring probe.

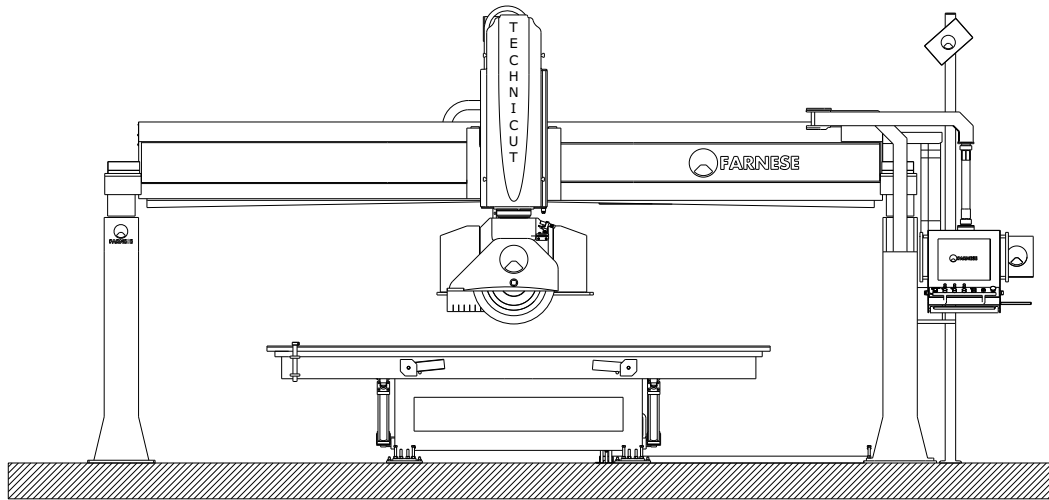
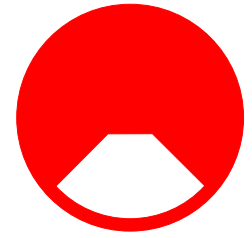
Even though it is a full CNC controlled 5 axis machine, the operator can still use the machine manually as if it was a simple standard bridge saw. The machine is fitted with a separate pendant station that allows the operator movement in order to use the machine for quick manual cuts. It can also work in a Semi-Automatic Program in which the operator can quickly and easily program all the cuts in the X and Y axis allowing for quick trimming and rectangle production. The CAD/CAM system supplied with the machine allows any 2D shapes to be produced including vacuum moves.

You can also perform simple or complicated cuts using the vacuum manipulator whenever you have blind or curved cuts. The spindle has a 1/2" GAS attachment that allows to fit a drill. This feature can be programmed to drill out the corners of internal cut outs for easy removal of the internal piece.

With the ability to connect directly to the internet it is possible to log into the machine remotely from our office to help trouble shoot any issue provide further online training.

TECHNICUT

Feature packed high performance 5 axis bridge saw



TECHNICAL SPECIFICATIONS

DIMENSIONS OF INSTALLED MACHINE

WIDTH	6500 mm	255.9 in
DEPTH	4200 mm	165.4 in
HEIGHT	3400 mm	133.9 in
WEIGHT	4800 kg	10560.0 lb

TABLE DIMENSIONS

WIDTH	3600 mm	141.7 in
DEPTH	2000 mm	78.7 in
HEIGHT	850 mm	33.5 in
ROTATION	NO	
TILT	YES	

FEATURES & FEEDS

CUTTING LENGTH (LONG TRAVEL STROKE)	2300 mm	90.6 in
CUTTING WIDTH (CROSS TRAVEL STROKE)	3600 mm	141.7 in
CUTTING HEIGHT (HEAD UP AND DOWN)	450 mm	17.7 in
BLADE DIAMETER (RECOMMENDED)	450 mm	18 in
BLADE DIAMETER (MAX)	600 mm	24 in
BLADE SHAFT DIAMETER	60 mm	2.36 in
BLADE TILT	0-90°	
HEAD ROTATION	0-360°	
DRILLING CAPABILITY	YES	G12 in
PHOTO CAMERA	OPTIONAL	
LASER CUTTING GUIDE	YES	
THICKNESS PROBE	YES	
VACUUM MANIPULATORS/MATERIAL POSITIONING	YES	
TOUCH SCREEN	YES	
GALVANIZED RAILS & TABLE	YES	
AUTOMATIC GREASING	YES	
MAIN SPINDLE POWER	11 kW	20 hp
MAIN SPINDLE SPEED	1440 rpm	2000 rpm
POWER REQUIRED	28A, 400V, 3 phases + Neutral	
	50A, 208V, 3 phases + Neutral	

CONNECTIONS REQUIRED (SUPPLIED BY CUSTOMER)

POWER, WATER, COMPRESSED AIR.

*TOOLING

CONSULT YOUR LOCAL FARNESE DEALER FOR ANY TOOLING REQUIRED



Owning to the constant updating of our designs, descriptions and technical data shown in our drawings and folders are not binding. Possible alterations deemed by the makers as convenient will be effected at any time without previous notice.

www.farnese.com.au