

SILO 2500



DESIGN FEATURES

2500 LITRE GALVANISED STEEL SILO

SMALL FLOCCULANT UNIT

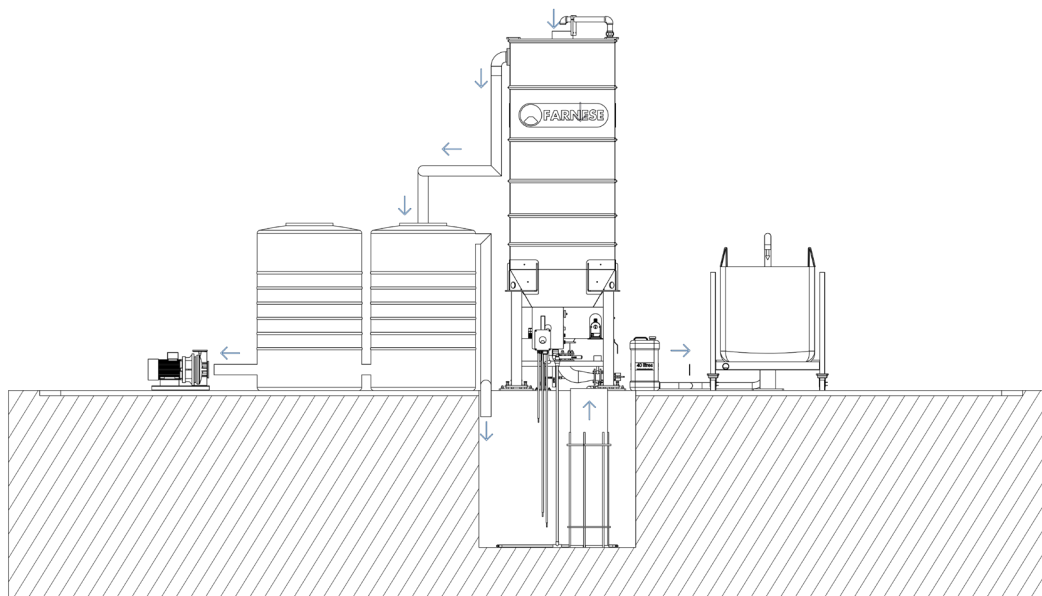
SUBMERSIBLE PIT PUMP

AUTOMATED PUMP CONTROL

LARGE SLUDGE COLLECTION BAG

Founded in 2000 by the Farnese family, **Farnese Australia** are designers and manufacturers of stone cutting and polishing machinery in Australia. With an international reputation and decades of combined professional experience, and expertise, in both the stone industry and the local stone machinery manufacturing industry, Farnese are the first choice for stone fabricators. They continue to dominate this field in Australia and overseas with precision and innovation.

The team at **Farnese Australia** have the experience it takes to design, install and maintain the equipment needed in your industry.



Ideal for the smaller factory, the **SILO 2500** is a compact system for the quick removal of mud from your recycled water.

HOW IT WORKS

The system is quite simple.

The dirty water from your factory gets collected in the pit. The water level in the pit is monitored via a three probe water level system, activating a submersible pump that pumps the dirty water up to the silo.

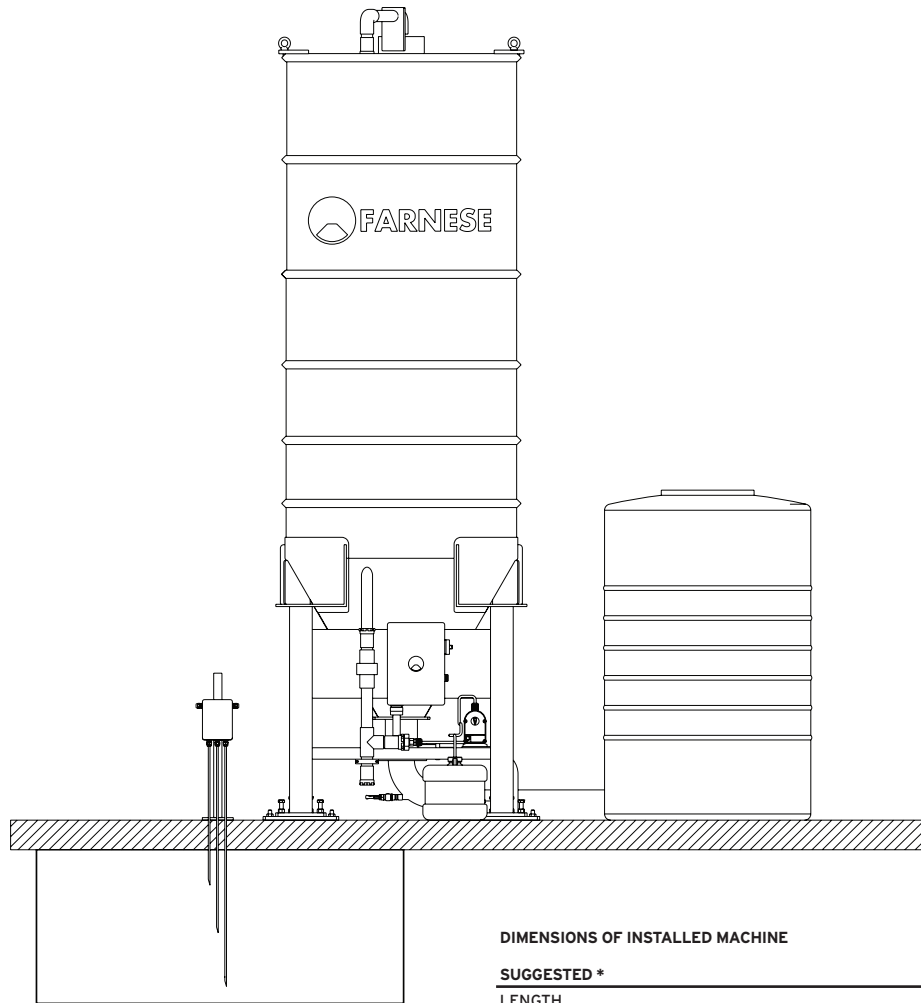
At the same time, a flocculant pump injects polymer flocculant into the water, which then mixes in the silo.

The flocculant helps bind the mud particles together, allowing them to sink to the bottom of the silo. The mud on the bottom of the silo is then emptied at timed intervals into the bag stand to dehydrate. Once the mud has dried enough in the bags, they can then be removed and disposed of.

The resulting clean water that remains in the silo then feeds into your storage tank.

From there, a pump system (which has two pumps in case one stops working) feeds the clean, recycled water back into your factory.

SILO 2500



DIMENSIONS OF INSTALLED MACHINE

SUGGESTED *	METRIC	IMPERIAL
LENGTH	1200 mm	47.2 in
WIDTH	1200 mm	47.2 in
HEIGHT	3500 mm	137.8 in
WEIGHT	600 kg	1320 lb

* LAYOUT CAN BE CUSTOMISED TO SUIT THE REQUIREMENTS OF INDIVIDUAL SHOPS

FEATURES & FEEDS		
MIXING STATION	NO	NO
FLOCCULANT STATION (SMALL)	YES	YES
WATER TANKS	SUPPLIED BY CUSTOMER	
MUD DECANTATION STATION	YES / 4 BAGS	YES / 4 BAGS
PUMP TO THE MACHINES	SUPPLIED BY CUSTOMER	
SUBMERSIVE PUMPS	YES	YES
AUTOMATED PUMP CONTROL	YES	YES
MANUAL EXIT BALL VALVE	YES	YES

POWER REQUIRED	400v 3ph 50Hz	208v 3ph 60Hz
	1A+ Neutral	2A

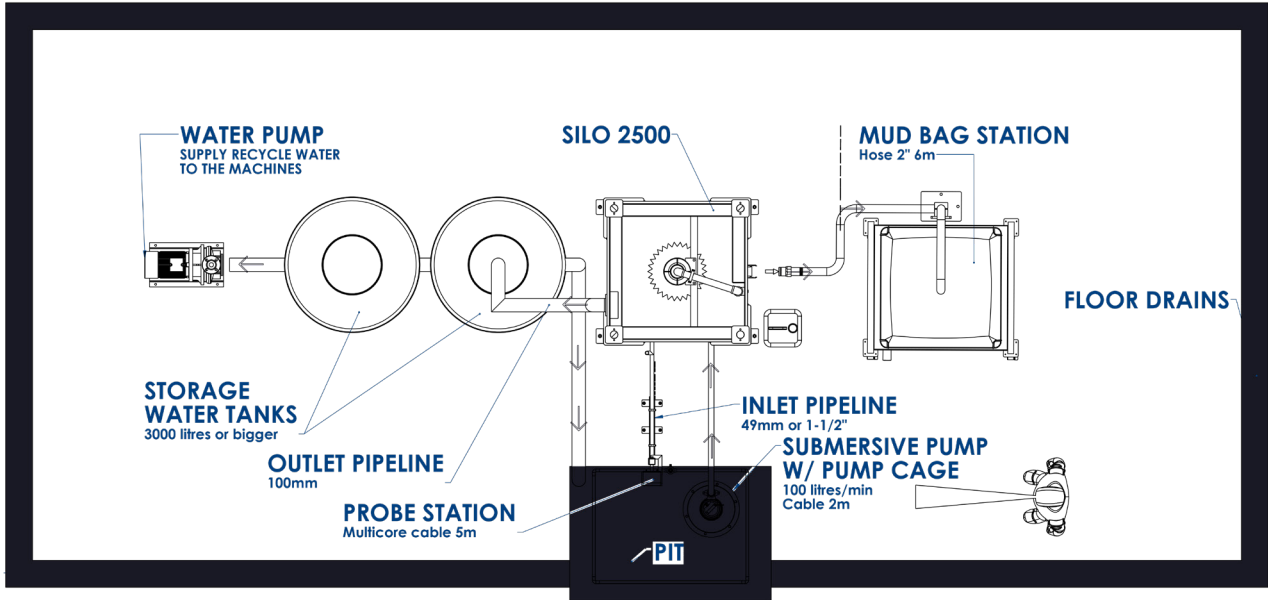
CONNECTIONS REQUIRED (SUPPLIED BY CUSTOMER)
POWER, WATER, COMPRESSED AIR

*WATER TANKS AND PLUMBING TO BE SUPPLIED BY THE CUSTOMER

Owing to the constant updating of our designs, descriptions and technical data shown in our drawings and folders are not binding. Possible alterations deemed by the makers as convenient will be effected at any time without previous notice.

TECHNICAL SPECIFICATIONS

DESIGNED FOR FUNCTION, BUILT TO LAST.



We Know That Support Is Important To You

Buying a new machine is a big commitment for anyone, and continued support throughout the life of that machine is vital.

Being an Australian and New Zealand company, we carry a vast array of parts here in New Zealand to ensure that your machine always has the spares it needs. Enjoy peace of mind knowing that you'll be fully supported by Farnese and we'll always have you covered.

Farnese customers don't need to experience unnecessary machinery downtime waiting for remote assistance from other countries, as all the support and remote assistance is provided locally in New Zealand from our own qualified Technicians in New Zealand time.

Our mission here at Farnese is to give you the best support. As we grow, we continue to recruit more and more qualified technicians, to further strengthen our position in the industry.

68 Montgomery Crescent, PO Box 40-809, Upper Hutt, New Zealand

PH +64 4 526 8589 info@farnese.co.nz